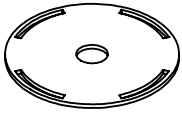
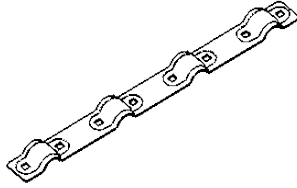
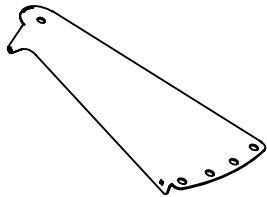
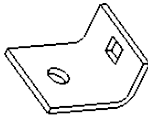
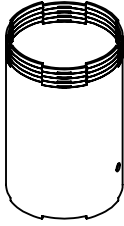
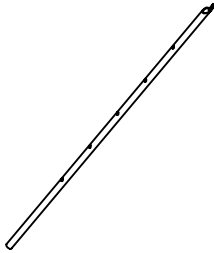
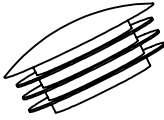
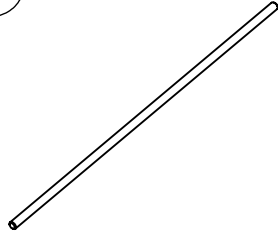
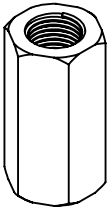
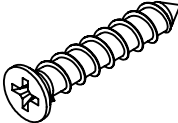
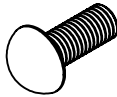



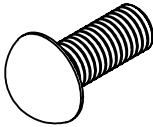


<p>ST02</p>  <p>Ø 115 x 3 mm</p> <p>1x</p>	<p>ST15a</p>  <p>2x</p>	<p>ST74</p>  <p>1x</p>
---	--	---

<p>ST76</p>  <p>2x</p>	<p>ST77</p>  <p>1x</p>	<p>GS01</p>  <p>Ø 22x2x1275 mm</p> <p>1x</p>
---	---	---

	<p>KS01</p>  <p>Ø 22 mm</p> <p>1x</p>	<p>NT01</p>  <p>M20 x 500 mm</p> <p>1x</p>
--	--	--

<p>NT02</p>  <p>M20 DIN 6334</p> <p>1x</p>	<p>NT11</p>  <p>Ø 4x25mm</p> <p>4x</p>	<p>NT13</p>  <p>M6 x 16 mm DIN 603</p> <p>4x</p>
---	---	---

<p>NT24</p>  <p>M8</p> <p>4x</p>	<p>NT26</p>  <p>M8 DIN 125</p> <p>2x</p>	<p>NT45</p>  <p>M6</p> <p>4x</p>	<p>NT46</p>  <p>M8 x 30 mm DIN 603</p> <p>4x</p>
---	---	---	---

<p>1</p>	
----------	--